

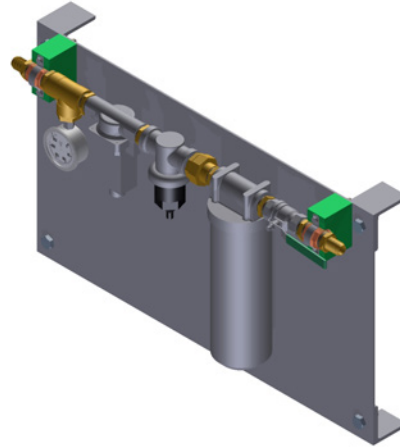
Water Control Unit

PRODUCT
FACT
SHEET

The range of TS Global water control units assists with delivering the benefits of a superior wet cleaning system. They are designed to control water quality, pressure and enhance cleaning performance of any belt cleaning system. Water spray systems improve cleaner performance by up to 75% over dry systems and the water control manifold plays a huge part in this. Balancing cost effectiveness with long life functionality makes this the ideal choice for your purpose.

Application

All wet belt cleaning systems to a maximum pressure of 1380 kPa.



-  Proven Performance
-  Quality Product
-  Flexibility in Design
-  On-time Delivery

FEATURES	BENEFITS
Automatically controls water flow to the spray nozzles	= Minimises water added to product = Reduces maintenance
Contributes to performance enhancement of all conveyor belt cleaning systems	= Improves cleaning performance by up to 75% = Prolongs service life of conveyor belt and cleaner tips
Manufactured with a high-grade stainless steel reusable water filtration device	= Prevents build up/blockage of nozzles = Allows cleaning to be completed during routine maintenance
Integrates with existing conveyor drive controls or PLC system	= Ensures spray operation is controlled in line with client requirements
Available in a range of solenoid types and voltages	= Ensures it suits site electrical requirements
Designed with an LED indicator on all standard solenoids	= Alerts any power fault problem
Water filters available in 150uM and 560uM	= Minimises spray blockages
Quality assured product	= All panels are inspected and pressure tested following assembly

Water Control Unit

PRODUCT
FACT
SHEET



Item Code	Description	Unit	Weight	
			(kg)	(lbs)
18-10-001	Spray Water Control Unit	Each	11.8	26

DISTRIBUTED BY

TSGlobal®

Leaders in Conveyor Products

PO Box 103, HRMC NSW 2300
8 Laurio Place, Mayfield NSW 2304

PHONE +61 2 4968 8500
EMAIL sales@tsglobal.net.au
WEB www.tsglobal.net.au

ABN 30 603 644 748