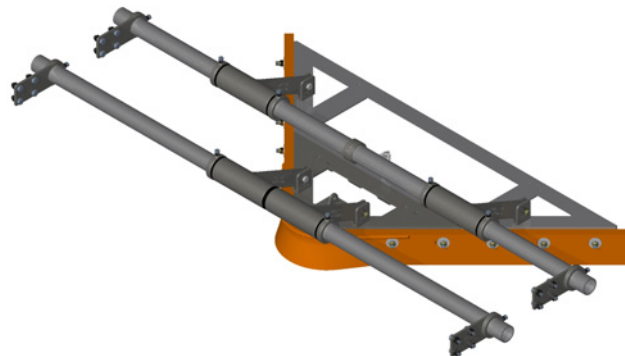


# Floating Failsafe Bullnose Vee Plough

PRODUCT  
FACT  
SHEET

The range of TS Global ploughs are proven to protect and increase the life of your capital assets including pulleys and conveyor belt. This is achieved by removing displaced material on the return side of the conveyor belt prior to entering the pulley. It also improves tracking by reducing build-up on the pulley.

Balancing cost effectiveness with long life functionality makes this the ideal choice for your application.



## Application

Prior to drive, bend, take-up and tail pulley on single direction conveyors only.

-  Proven Performance
-  Quality Product
-  Flexibility in Design
-  On-time Delivery

FEATURES	BENEFITS
Manufactured with a bullnose	= Increases longevity of nose section = Reduces potential of plough picking up on damaged belt
Manufactured from high grade stainless steel	= Increased longevity in structural components
Supplied with dual pole configuration	= The geometry formed between poles, link arms and body provides fail-safe integrity
Available in standard and heavy duty	= Manufactured to fit your application = Cost effective option
Components are interchangeable with most brands	= Cost savings achieved without the need to replace the plough
Specific design to allow modular assembly and installation	= Allows easier access into tight fitting areas = Reduces manual handling hazards
Plough floats with belt movement	= Continually self-adjusts to optimise performance
Ability to supply blades with different wear characteristics to suit your specific applications	= Increases life expectancy of polyurethane blades = Optimises performance due to correct blade selection

# Floating Failsafe Bullnose Vee Plough

PRODUCT  
FACT  
SHEET



Item Code Natural Blades	Item Code FRAS Blades	Description	Pole Length		Pole Diameter		Belt Width		Weight	
			(mm)	(inches)	(mm)	(inches)	(mm)	(inches)	(kg)	(lbs)
19-20-001	19-24-001	Plough Floating Failsafe Bullnose Vee 0900	1500	59 1/16	48	1 7/8	900	36	48	106
19-20-002	19-24-002	Plough Floating Failsafe Bullnose Vee 1050	1800	70 7/8	48	1 7/8	1050	42	52	115
19-20-003	19-24-003	Plough Floating Failsafe Bullnose Vee 1200	1800	70 7/8	48	1 7/8	1200	48	56	123
19-20-004	19-24-004	Plough Floating Failsafe Bullnose Vee 1400	2150	84 5/8	48	1 7/8	1400	56	60	132
19-20-005	19-24-005	Plough Floating Failsafe Bullnose Vee 1500	2150	84 5/8	48	1 7/8	1500	60	62	137
19-20-006	19-24-006	Plough Floating Failsafe Bullnose Vee 1600	2150	84 5/8	48	1 7/8	1600	64	64	141
19-20-007	19-24-007	Plough Floating Failsafe Bullnose Vee 1800	2500	98 7/16	48	1 7/8	1800	72	68	150
19-19-001	19-21-001	Plough H/Duty Floating Failsafe Bullnose Vee 1200	1800	70 7/8	73	2 7/8	1200	48	140	309
19-19-002	19-21-002	Plough H/Duty Floating Failsafe Bullnose Vee 1400	2150	84 5/8	73	2 7/8	1400	56	145	320
19-19-003	19-21-003	Plough H/Duty Floating Failsafe Bullnose Vee 1500	2150	84 5/8	73	2 7/8	1500	60	150	331
19-19-004	19-21-004	Plough H/Duty Floating Failsafe Bullnose Vee 1600	2150	84 5/8	73	2 7/8	1600	64	155	342
19-19-005	19-21-005	Plough H/Duty Floating Failsafe Bullnose Vee 1800	2600	102 3/8	73	2 7/8	1800	72	160	353
19-19-006	19-21-006	Plough H/Duty Floating Failsafe Bullnose Vee 2000	2600	102 3/8	73	2 7/8	2000	80	165	364
19-19-007	19-21-007	Plough H/Duty Floating Failsafe Bullnose Vee 2200	2800	110 1/4	73	2 7/8	2200	86	170	375
19-19-008	19-21-008	Plough H/Duty Floating Failsafe Bullnose Vee 2400	3000	118 1/8	73	2 7/8	2400	94	175	386
19-19-009	19-21-009	Plough H/Duty Floating Failsafe Bullnose Vee 2500	3000	118 1/8	73	2 7/8	2500	98	180	397

DISTRIBUTED BY

**TSGlobal**<sup>®</sup>  
Leaders in Conveyor Products

PO Box 103, HRMC NSW 2300  
8 Laurio Place, Mayfield NSW 2304

**PHONE** +61 2 4968 8500  
**EMAIL** sales@tsglobal.net.au  
**WEB** www.tsglobal.net.au

ABN 30 603 644 748