

Floating Failsafe Vee Plough

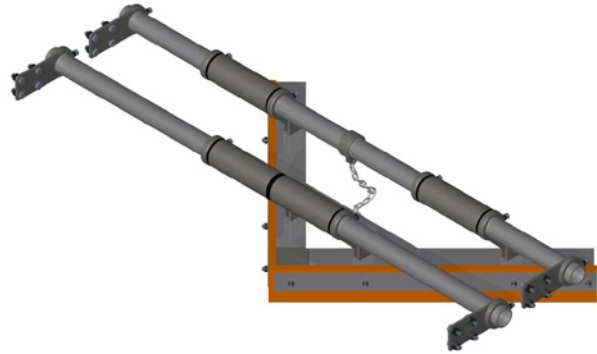
PRODUCT
FACT
SHEET

The range of TS Global ploughs are proven to protect and increase the life of your capital assets including pulleys and conveyor belt. This is achieved by removing displaced material on the return side of the conveyor belt prior to entering the pulley. It also improves tracking by reducing build-up on the pulley.

Balancing cost effectiveness with long life functionality makes this the ideal choice for your application.

Application

Prior to drive, bend, take-up and tail pulley on single direction conveyors only.



-  Proven Performance
-  Quality Product
-  Flexibility in Design
-  On-time Delivery

FEATURES	BENEFITS
Manufactured from high grade stainless steel	= Increases longevity in structural components
Supplied with dual pole configuration	= The geometry formed between poles, link arms and body provides fail-safe integrity
Available in standard and heavy duty	= Manufactured to fit your application = Cost effective option
Components are interchangeable with most brands	= Cost savings achieved without the need to replace the plough
Plough floats with belt movement	= Continually self-adjusts to optimise performance
Ability to supply blades with different wear characteristics to suit your specific applications	= Increases life expectancy of polyurethane blades = Optimises performance due to correct blade selection

Floating Failsafe Vee Plough

PRODUCT
FACT
SHEET



Item Code Natural Blades	Item Code FRAS Blades	Description	Frame Length		Pole Diameter		Belt Width		Weight	
			(mm)	(inches)	(mm)	(inches)	(mm)	(inches)	(kg)	(lbs)
19-14-001	19-15-001	Plough Floating Failsafe Vee 0900	1500	59 1/16	48	1 7/8	400	18	47.5	105
19-14-002	19-15-002	Plough Floating Failsafe Vee 1050	1800	70 7/8	48	1 7/8	600	24	52.4	116
19-14-003	19-15-003	Plough Floating Failsafe Vee 1200	1800	70 7/8	48	1 7/8	750	30	53.7	118
19-14-004	19-15-004	Plough Floating Failsafe Vee 1400	2150	84 3/8	48	1 7/8	900	36	60.9	134
19-14-005	19-15-005	Plough Floating Failsafe Vee 1500	2150	84 3/8	48	1 7/8	1050	42	62.1	137
19-14-006	19-15-006	Plough Floating Failsafe Vee 1600	2150	84 3/8	48	1 7/8	1200	48	64.5	142
19-14-007	19-15-007	Plough Floating Failsafe Vee 1800	2500	98 1/16	48	1 7/8	1400	56	69.9	154
19-16-001	19-17-001	Plough H/Duty Floating Failsafe Vee 1200	1800	70 7/8	73	2 7/8	1500	60	103	227
19-16-002	19-17-002	Plough H/Duty Floating Failsafe Vee 1400	2150	84 3/8	73	2 7/8	1600	64	114	251
19-16-003	19-17-003	Plough H/Duty Floating Failsafe Vee 1500	2150	84 3/8	73	2 7/8	1800	72	116	256
19-16-004	19-17-004	Plough H/Duty Floating Failsafe Vee 1600	2150	84 3/8	73	2 7/8	1200	48	118	260
19-16-005	19-17-005	Plough H/Duty Floating Failsafe Vee 1800	2500	98 1/16	73	2 7/8	1400	56	130	287
19-16-006	19-17-006	Plough H/Duty Floating Failsafe Vee 2000	2500	98 1/16	73	2 7/8	1500	60	134	295
19-16-007	19-17-007	Plough H/Duty Floating Failsafe Vee 2200	2800	110 1/4	73	2 7/8	1600	64	143	315
19-16-008	19-17-008	Plough H/Duty Floating Failsafe Vee 2400	3000	118 1/8	73	2 7/8	1800	72	151	333
19-16-009	19-17-009	Plough H/Duty Floating Failsafe Vee 2500	3000	118 1/8	73	2 7/8	2000	80	155	342
19-16-007	19-16-007	Plough H/Duty Floating Failsafe Vee 2200	2800	110 1/4	73	2 7/8	2200	86	134	295
19-16-008	19-16-008	Plough H/Duty Floating Failsafe Vee 2400	3000	118 1/8	73	2 7/8	2400	94	143	315
19-16-009	19-16-009	Plough H/Duty Floating Failsafe Vee 2500	3000	118 1/8	73	2 7/8	2500	98	151	333

DISTRIBUTED BY

TSGlobal[®]
Leaders in Conveyor Products

PO Box 103, HRMC NSW 2300
8 Laurio Place, Mayfield NSW 2304

PHONE +61 2 4968 8500
EMAIL sales@tsglobal.net.au
WEB www.tsglobal.net.au

ABN 30 603 644 748