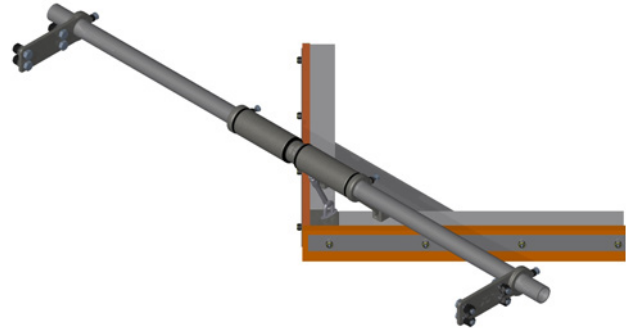


Floating Vee Plough

PRODUCT
FACT
SHEET

The range of market leading TS Global floating vee ploughs are proven to protect and increase the life of your capital assets including pulleys and conveyor belt. This is achieved by removing displaced material on the return side of the conveyor belt prior to entering the pulley. It also improves tracking by reducing build-up on the pulley. Balancing cost effectiveness with long life functionality makes this the ideal choice for your application.



Application

Prior to drive, bend, take-up and tail pulleys on single direction conveyor.

-  Proven Performance
-  Quality Product
-  Flexibility in Design
-  On-time Delivery

FEATURES	BENEFITS
Manufactured from high grade stainless steel	= Increased longevity in structural components
Available in standard and heavy duty	= Manufactured to fit your application = Cost effective option
Components are interchangeable with most brands	= Cost savings achieved without the need to replace the plough
Plough floats with belt movement	= Continually self-adjusts to optimise performance
Ability to supply blades with different wear characteristics to suit your specific applications	= Increases life expectancy of polyurethane blades = Optimises performance due to correct blade selection

Floating Vee Plough

PRODUCT
FACT
SHEET



Item Code Natural Blades	Item Code FRAS Blades	Description	Pole Length		Pole Diameter		Belt Width		Weight	
			(mm)	(inches)	(mm)	(inches)	(mm)	(inches)	(kg)	(lbs)
19-10-001	19-11-001	Plough Floating Vee 0450	1200	47 ¼	48	1 7/8	400	18	21.5	47
19-10-002	19-11-002	Plough Floating Vee 0600	1200	47 ¼	48	1 7/8	600	24	23.6	52
19-10-003	19-11-003	Plough Floating Vee 0750	1200	47 ¼	48	1 7/8	750	30	25.6	56
19-10-004	19-11-004	Plough Floating Vee 0900	1500	59 1/16	48	1 7/8	900	36	28.8	63
19-10-005	19-11-005	Plough Floating Vee 1050	1800	70 7/8	48	1 7/8	1050	42	32.4	71
19-10-006	19-11-006	Plough Floating Vee 1200	1800	70 7/8	48	1 7/8	1200	48	35	77
19-10-007	19-11-007	Plough Floating Vee 1400	2150	84 3/8	48	1 7/8	1400	56	39.5	87
19-10-008	19-11-008	Plough Floating Vee 1500	2150	84 3/8	48	1 7/8	1500	60	40.7	90
19-10-009	19-11-009	Plough Floating Vee 1600	2150	84 3/8	48	1 7/8	1600	64	43.1	95
19-10-010	19-11-010	Plough Floating Vee 1800	2500	98 7/16	48	1 7/8	1800	72	47.5	105
19-12-001	19-13-001	Plough H/Duty Floating Vee 1200	1800	70 7/8	73	2 7/8	1200	48	65.2	144
19-12-002	19-13-002	Plough H/Duty Floating Vee 1400	2150	84 3/8	73	2 7/8	1400	56	73.2	161
19-12-003	19-13-003	Plough H/Duty Floating Vee 1500	2150	84 3/8	73	2 7/8	1500	60	75.7	167
19-12-004	19-13-004	Plough H/Duty Floating Vee 1600	2150	84 3/8	73	2 7/8	1600	64	77.1	170
19-12-005	19-13-005	Plough H/Duty Floating Vee 1800	2500	98 7/16	73	2 7/8	1800	72	85.9	189
19-12-006	19-13-006	Plough H/Duty Floating Vee 2000	2500	98 7/16	73	2 7/8	2000	80	89.9	198
19-12-007	19-13-007	Plough H/Duty Floating Vee 2200	2800	110 ¼	73	2 7/8	2200	86	96.4	213
19-12-008	19-13-008	Plough H/Duty Floating Vee 2400	3000	118 1/8	73	2 7/8	2400	94	102.7	226
19-12-009	19-13-009	Plough H/Duty Floating Vee 2500	3000	118 1/8	73	2 7/8	2500	98	106	234

DISTRIBUTED BY

TSGlobal[®]
Leaders in Conveyor Products

PO Box 103, HRMC NSW 2300
8 Laurio Place, Mayfield NSW 2304

PHONE +61 2 4968 8500
EMAIL sales@tsglobal.net.au
WEB www.tsglobal.net.au

ABN 30 603 644 748