

# P Tungsten Belt Cleaner

PRODUCT  
FACT  
SHEET

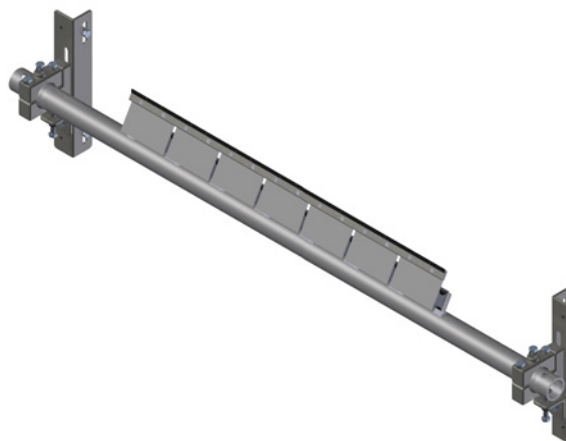
The range of TS Global belt cleaners are guaranteed to reduce carry-back, safety hazards and environmental impact along the conveyor. While it can be used as an individual belt cleaner, best results are achieved when it is installed as part of a complete cleaning system. Working in conjunction with a primary cleaner, the P belt cleaner removes the fine residue left behind by the primary cleaner. You can choose to install a P belt cleaner with or without water sprays – either way the results are impressive. Balancing cost effectiveness with long life functionality makes this the ideal choice for your application.

## Application

Installed at the head end or discharge point of any conveyor belt.

Suitable to single directional conveyors only.

Suitable for use on vulcanised conveyor belts only.



-  Proven Performance
-  Quality Product
-  Flexibility in Design
-  On-time Delivery

FEATURES	BENEFITS
Performs final cleaning ensuring up to 98% of fines are removed	= Fines are returned to the product flow, maximising revenue
Manufactured from high grade stainless steel	= Increases longevity in structural components
Manufactured in either standard, heavy duty or super pole configuration	= Allows the duty of the cleaner to be matched to the size and speed of the conveyor
Supplied with bolt on tungsten tips	= Allows alignment of cleaning elements to deliver optimum performance
	= Increases life expectancy of tungsten tip
	= Minimises maintenance costs
Choice of high grade tungsten tip thickness	= Increases life expectancy of tungsten tip
	= Minimises maintenance costs
	= Optimises performance
Our components are interchangeable with most brands	= Cost savings achieved without the need to replace the cleaner
Supplied with unique two piece clamping system	= Allows the pole to be supported while removing cleaner
Our components are manufactured from castings with smooth rounded edges	= Ensures uniformity of product
	= Consistent accuracy of product improves serviceability
	= Reduces exposure to potential hand injuries

# P Tungsten Belt Cleaner

PRODUCT  
FACT  
SHEET



Item Code	Description	Unit	Pole Length		Pole Diameter		Belt Width		Number of Blades	Weight	
			(mm)	(inches)	(mm)	(inches)	(mm)	(inches)		(kg)	(lbs)
14-10-001	Cleaner P 0450 Tungsten	Each	1250	49 3/16	48	1 7/8	400	18	3	18	40
14-10-002	Cleaner P 0600 Tungsten	Each	1350	53 1/8	48	1 7/8	600	24	4	20	44
14-10-003	Cleaner P 0750 Tungsten	Each	1500	59 1/16	48	1 7/8	750	30	5	22	49
14-10-004	Cleaner P 0900 Tungsten	Each	1650	64 15/16	60	2 3/8	900	36	6	35	77
14-10-005	Cleaner P 1050 Tungsten	Each	1800	70 7/8	60	2 3/8	1050	42	7	37	82
14-10-006	Cleaner P 1200 Tungsten	Each	1950	76 3/4	73	2 7/8	1200	48	8	44	97
14-10-007	Cleaner P 1400 Tungsten	Each	2200	86 5/8	73	2 7/8	1400	56	9	47	104
14-10-008	Cleaner P 1500 Tungsten	Each	2350	92 1/2	73	2 7/8	1500	60	10	50	110
14-10-009	Cleaner P 1600 Tungsten	Each	2500	98 7/16	73	2 7/8	1500	64	10	52	115
14-10-010	Cleaner P 1800 Tungsten	Each	2650	104 5/16	73	2 7/8	1800	72	12	56	123
14-11-001	Cleaner P 1050 Tungsten Reinforced Pole	Each	1800	70 7/8	60	2 3/8	1050	42	7	36	79
14-11-002	Cleaner P 1200 Tungsten Reinforced Pole	Each	1950	76 3/4	73	2 7/8	1200	48	8	50	110
14-11-003	Cleaner P 1400 Tungsten Reinforced Pole	Each	2200	86 5/8	73	2 7/8	1400	56	9	56	123
14-11-004	Cleaner P 1500 Tungsten Reinforced Pole	Each	2350	92 1/2	73	2 7/8	1500	60	10	59	130
14-11-005	Cleaner P 1600 Tungsten Reinforced Pole	Each	2500	98 7/16	73	2 7/8	1600	64	10	60	132
14-11-006	Cleaner P 1800 Tungsten Reinforced Pole	Each	2650	104 5/16	73	2 7/8	1800	72	12	67	148
14-11-007	Cleaner P 2000 Tungsten Reinforced Pole	Each	2950	116 1/8	73	2 7/8	2000	80	13	72	159
14-11-008	Cleaner P 2200 Tungsten Reinforced Pole	Each	3100	122 1/16	73	2 7/8	2200	86	14	77	170
14-11-009	Cleaner P 2500 Tungsten Reinforced Pole	Each	3400	133 1/8	73	2 7/8	2500	98	16	83	183

DISTRIBUTED BY

**TSGlobal**<sup>®</sup>  
Leaders in Conveyor Products

PO Box 103, HRMC NSW 2300  
8 Laurio Place, Mayfield NSW 2304

**PHONE** +61 2 4968 8500  
**EMAIL** sales@tsglobal.net.au  
**WEB** www.tsglobal.net.au

ABN 30 603 644 748