

# Torsion Vee Plough

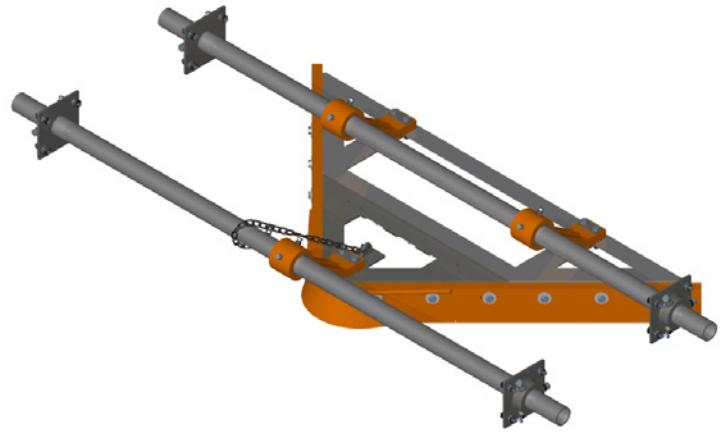
PRODUCT  
FACT  
SHEET

The range of TS Global ploughs are proven to protect and increase the life of your capital assets including pulleys and conveyor belt. This is achieved by removing displaced material on the return side of the conveyor belt prior to entering the pulley. It also improves tracking by reducing build-up on the pulley.

Balancing cost effectiveness with long life functionality makes this the ideal choice for your application.

## Application

Installed prior to drive, bend, take-up and tail pulleys on single direction conveyors only.



 Proven Performance

 Quality Product

 Flexibility in Design

 On-time Delivery

FEATURES		BENEFITS
Manufactured with a Bullnose	=	Increases longevity of nose section
	=	Reduces potential of damage to belt
Manufactured from high grade stainless steel	=	Increases longevity in structural components
Supplied with dual pole configuration	=	Parallelogram formed between poles, link arms and body provides fail-safe integrity
Available in standard and heavy duty	=	Manufactured to fit your application
Components are interchangeable with most brands	=	Cost savings achieved without the need to replace the plough
Specific design to allow modular assembly and installation	=	Allows easier access into tight fitting areas
	=	Reduces manual handling hazards
Design incorporates a tension strap that applies a light tension to the belt	=	Ensures continuous contact with the belt to optimise performance
Ability to supply blades with different wear characteristics to suit your specific applications	=	Increases life expectancy of polyurethane blades
	=	Optimises performance due to correct blade selection

**TSGlobal**<sup>®</sup>

Leaders in Conveyor Products

# Torsion Vee Plough

PRODUCT  
FACT  
SHEET



Item Code Natural Blades	Item Code FRAS Blades	Description	Pole Length		Pole Diameter		Belt Width		Weight	
			(mm)	(inches)	(mm)	(inches)	(mm)	(inches)	(kg)	(lbs)
23-10-001	23-11-001	Plough Torsion Vee 0600	1150	45 ¼	48	1 7/8	600	24	35	77
23-10-002	23-11-002	Plough Torsion Vee 0750	1300	51 3/16	48	1 7/8	750	30	41	90
23-10-003	23-11-003	Plough Torsion Vee 0900	1500	59 1/16	48	1 7/8	900	36	50	110
23-10-004	23-11-004	Plough Torsion Vee 1050	1700	66 15/16	48	1 7/8	1050	42	53	117
23-10-005	23-11-005	Plough Torsion Vee 1200	1950	76 ¾	48	1 7/8	1200	48	57	126
23-10-006	23-11-006	Plough Torsion Vee 1400	2100	82 11/16	48	1 7/8	1400	56	65	143
23-10-007	23-11-007	Plough Torsion Vee 1500 - 1600	2500	98 7/16	60	2 3/8	1600	64	76	168
23-10-008	23-11-008	Plough Torsion Vee 1800	2700	106 5/16	60	2 3/8	1800	72	82	181
23-10-009	23-11-009	Plough Torsion Vee 2000	3000	118 1/8	60	2 3/8	2000	80	87	192
23-10-010	23-11-010	Plough Torsion Vee 2200	3200	126	60	2 3/8	2200	86	95	209
23-10-011	23-11-011	Plough Torsion Vee 2400	3400	133 7/8	60	2 3/8	2400	94	100	220
23-10-012	23-11-012	Plough Torsion Vee 2600	3600	141 ¾	60	2 3/8	2600	102	110	243
23-12-001	23-13-001	Plough H/Duty Torsion Vee 0900	1500	59 1/16	73	2 7/8	900	36	91.4	202
23-12-002	23-13-002	Plough H/Duty Torsion Vee 1050	1700	66 15/16	73	2 7/8	1050	42	106	234
23-12-003	23-13-003	Plough H/Duty Torsion Vee 1200	1950	76 ¾	73	2 7/8	1200	48	113.4	250
23-12-004	23-13-004	Plough H/Duty Torsion Vee 1400	2100	82 11/16	73	2 7/8	1400	56	127.1	280
23-12-005	23-13-005	Plough H/Duty Torsion Vee 1500	2500	98 7/16	73	2 7/8	1500	60	138.7	306
23-12-006	23-13-006	Plough H/Duty Torsion Vee 1600	2500	98 7/16	73	2 7/8	1600	64	142.2	313
23-12-007	23-13-007	Plough H/Duty Torsion Vee 1800	2700	106 5/16	73	2 7/8	1800	72	152	335
23-12-008	23-13-008	Plough H/Duty Torsion Vee 2000	3000	118 1/8	73	2 7/8	2000	80	163.3	360
23-12-009	23-13-009	Plough H/Duty Torsion Vee 2200	3200	126	73	2 7/8	2200	86	175	386
23-12-010	23-13-0010	Plough H/Duty Torsion Vee 2400	3400	133 7/8	73	2 7/8	2400	94	186	410
23-12-011	23-13-011	Plough H/Duty Torsion Vee 2600	3400	133 7/8	73	2 7/8	2600	102	188.9	416
23-12-012	23-13-012	Plough H/Duty Torsion Vee 2800	3900	153 9/16	73	2 7/8	2800	110	188.9	416

DISTRIBUTED BY

**TSGlobal**<sup>®</sup>  
Leaders in Conveyor Products

PO Box 103, HRMC NSW 2300  
8 Laurio Place, Mayfield NSW 2304

**PHONE** +61 2 4968 8500  
**EMAIL** sales@tsglobal.net.au  
**WEB** www.tsglobal.net.au

ABN 30 603 644 748